

2



1

B

B



A

A

2



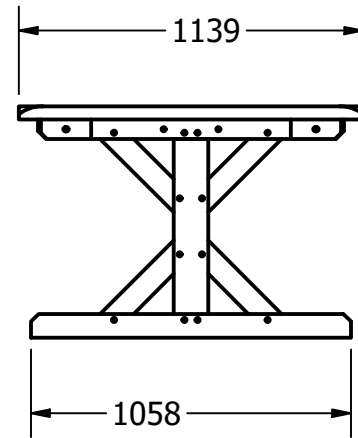
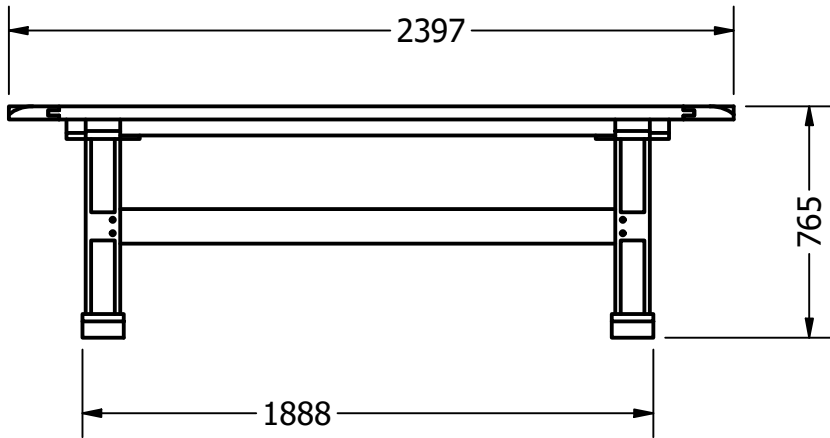
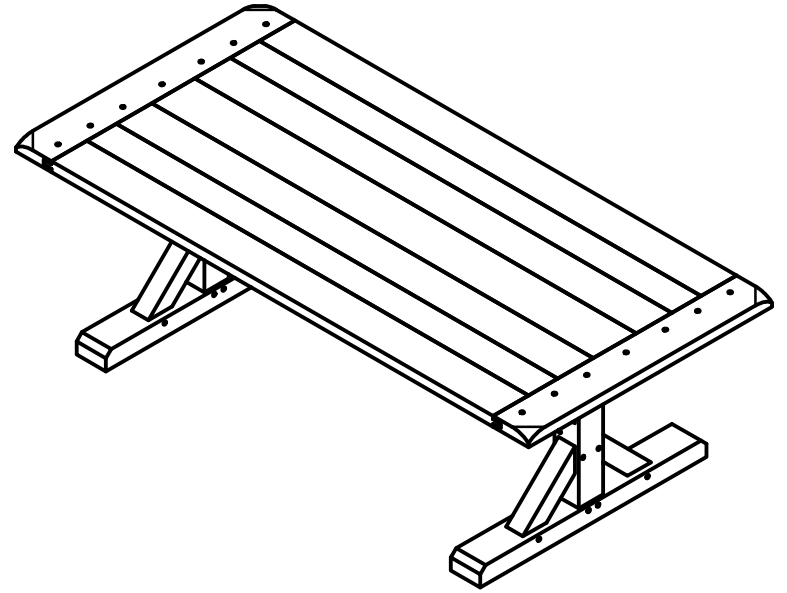
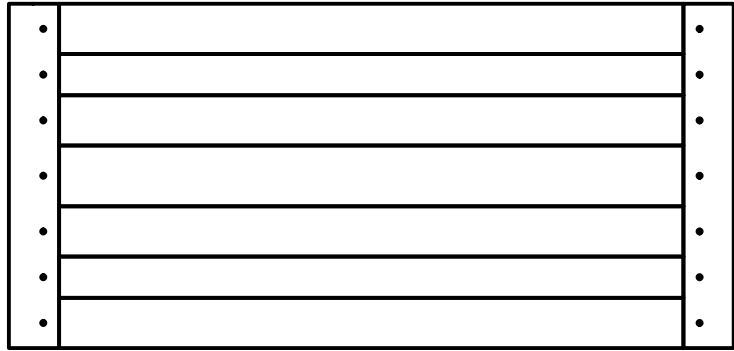
1

Trestle Table
SCALE 1/12

2



1



2



1

B

B

A

A

2



1

PARTS LIST

ITEM	QTY	PART NUMBER	DESCRIPTION
1	2	Leg Base	1058 x 137 x 78
2	2	Leg	679 x 114 x 114
3	2	Leg Top	1012 x 114 x 64
4	8	Leg Brace	400 x 78 x 78
5	1	Beam Center	1813 x 114 x 64
6	2	Stretcher Dovetail	1775 x 114 x 53
7	1	Top Board Center	2305 x 201 x 44
8	4	Top Board 2	2305 x 166 x 44
9	2	Top Board 3	2305 x 137 x 44
10	2	Drawboard	1139 x 166 x 44
11	2	Mounting Bracket Center	294 x 64 x 64
12	4	Mounting Bracket End	166 x 64 x 64

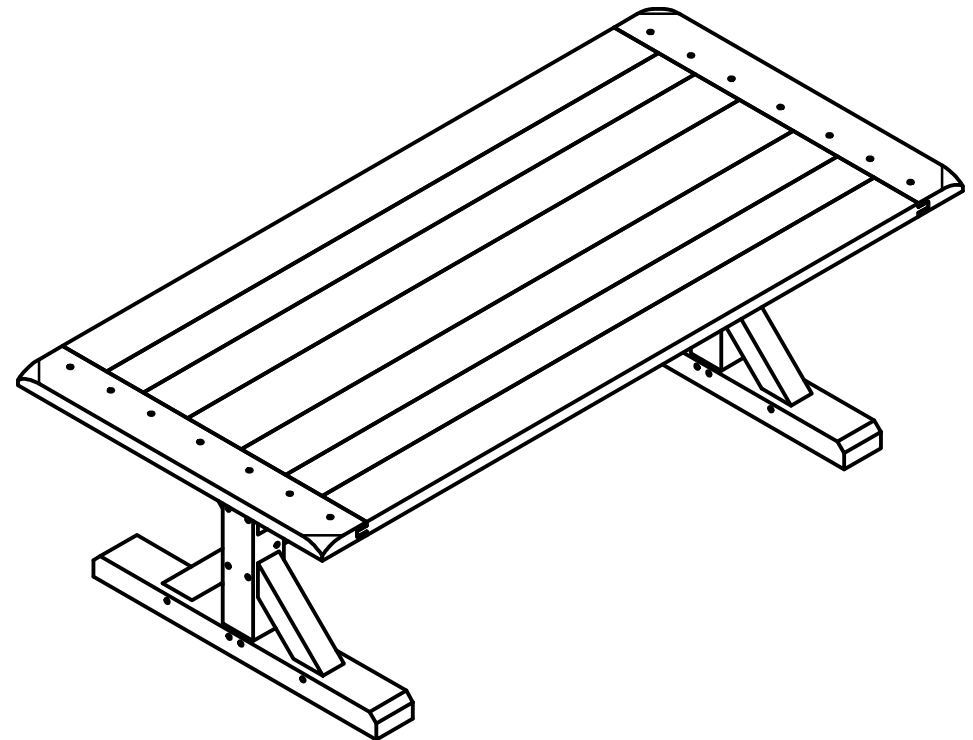
B

B



A

A



2

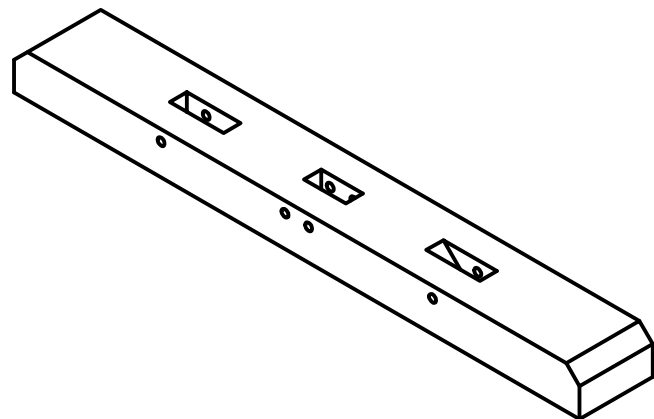
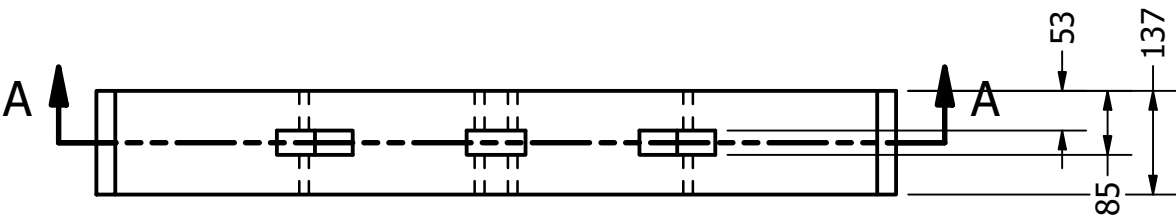


1

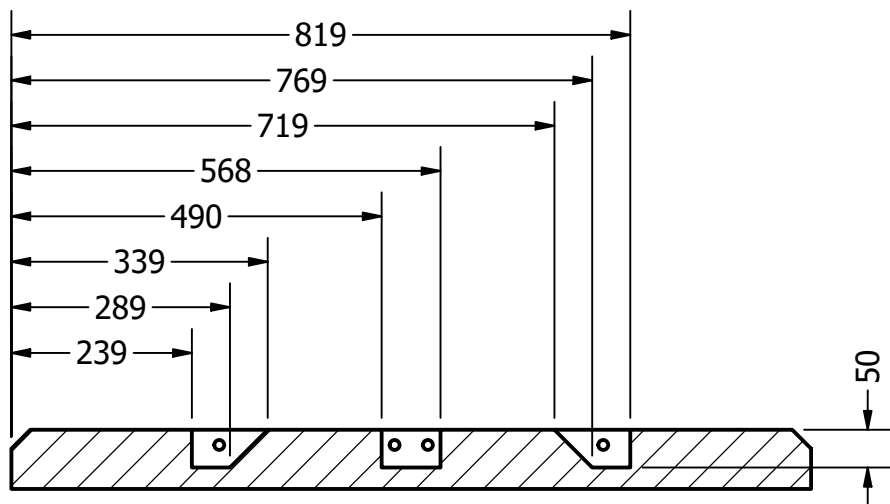
2



1

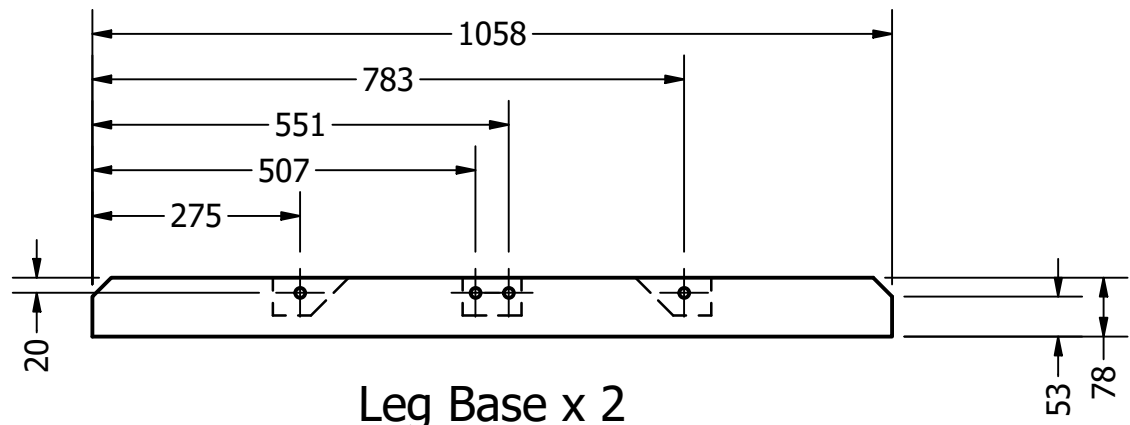


B

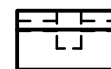


SECTION A-A
SCALE 1 / 10

A



Leg Base x 2



B

A

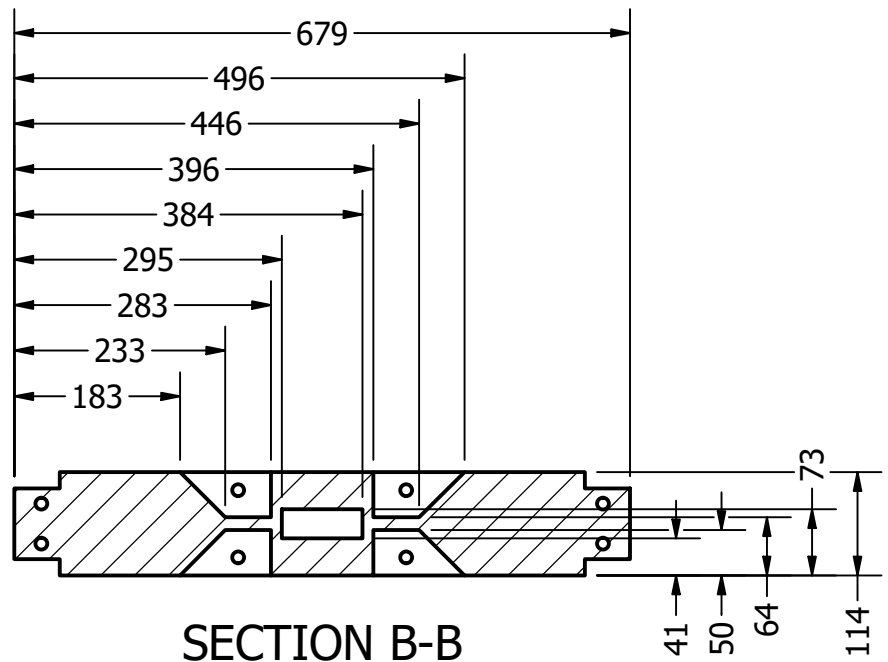
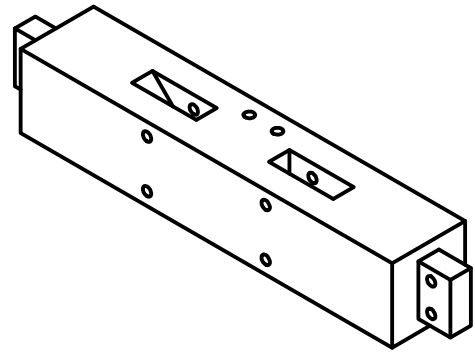
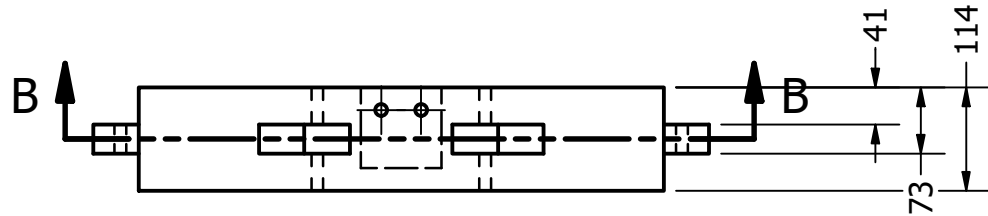
2



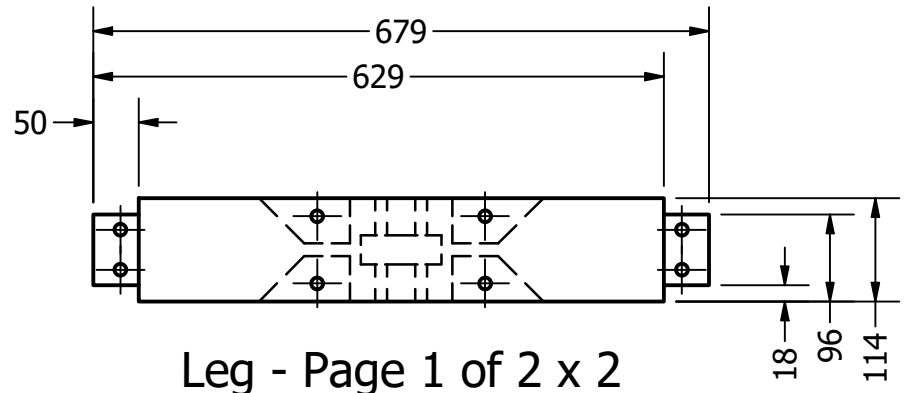
1

2

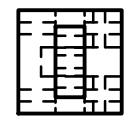
1



SECTION B-B
SCALE 0.12 : 1



Leg - Page 1 of 2 x 2



B

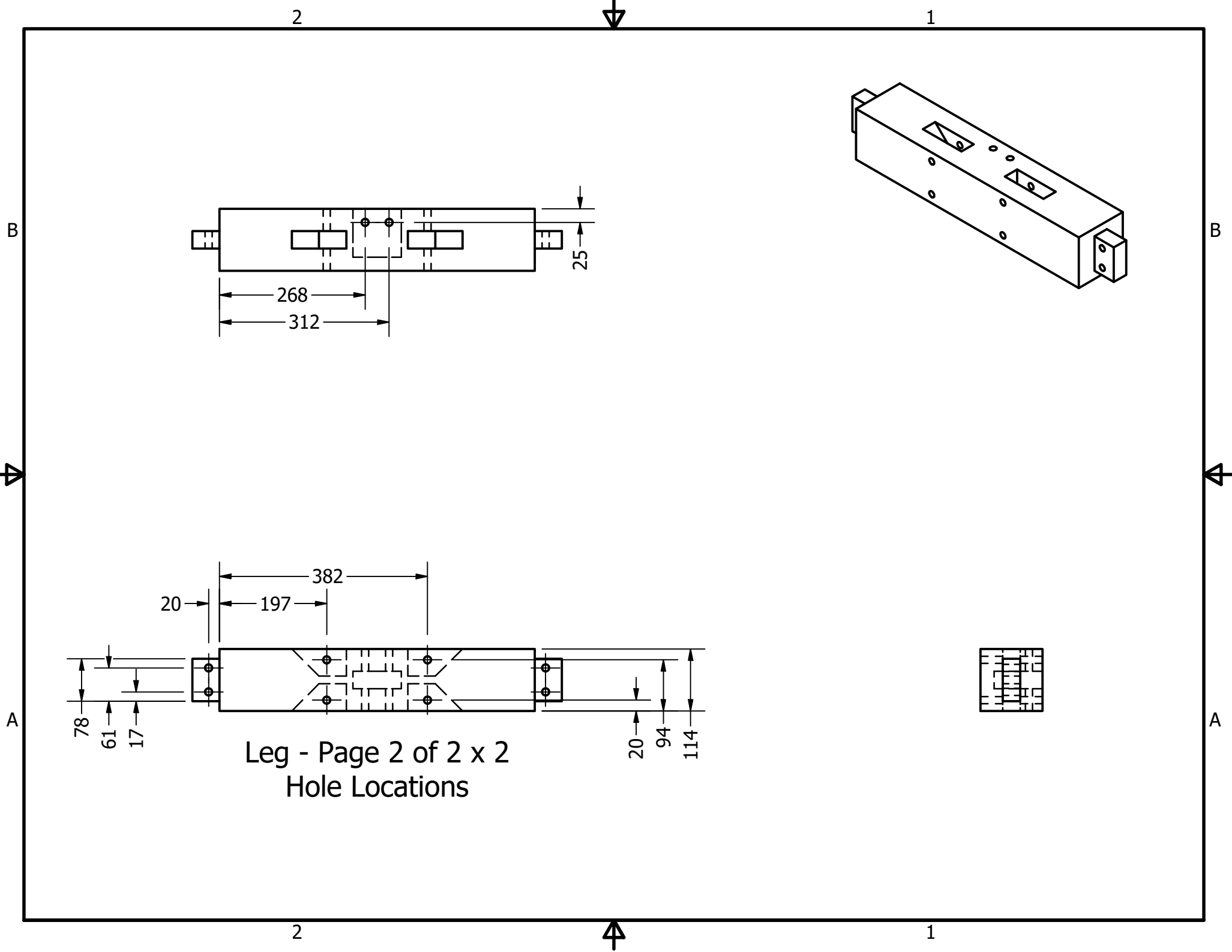
B

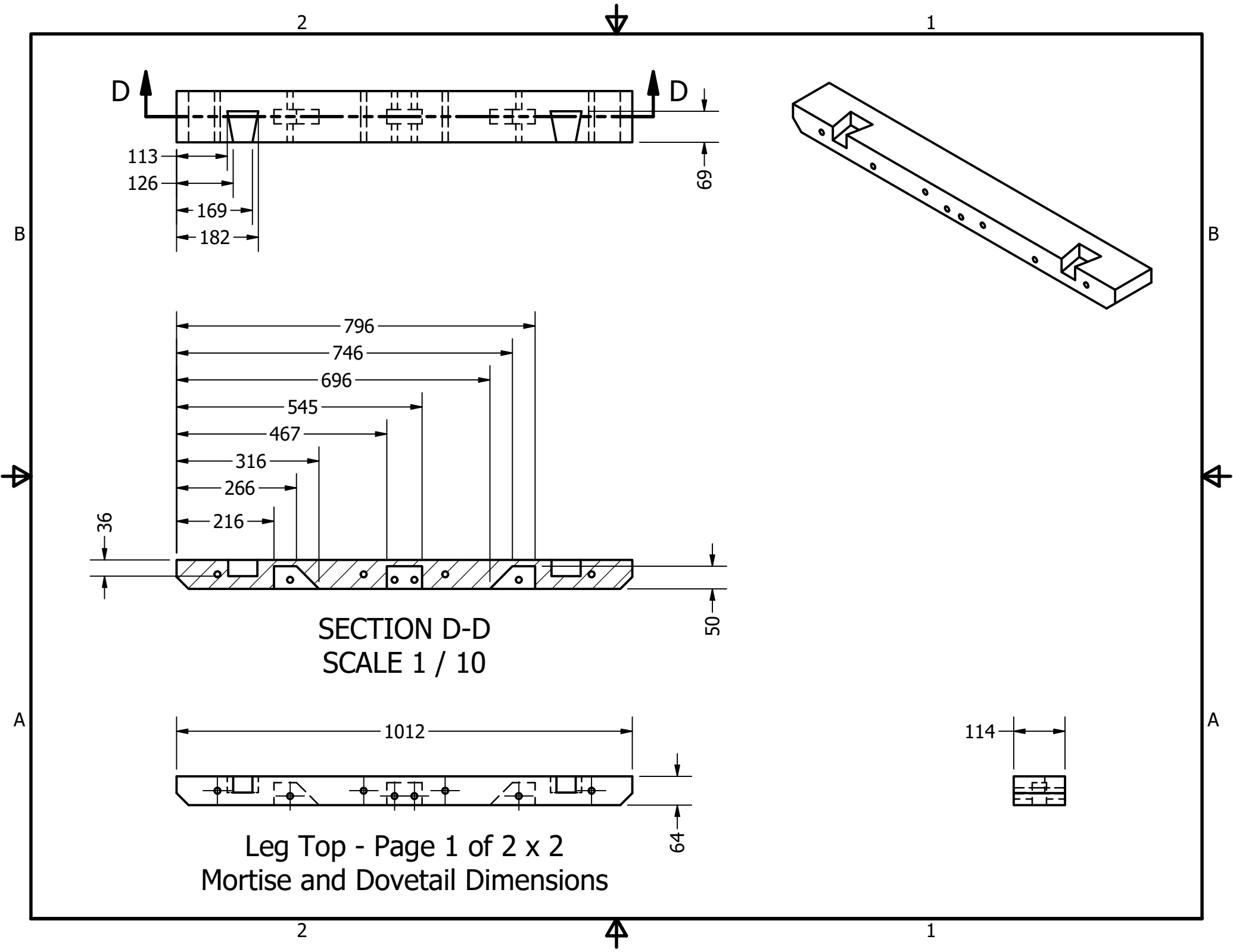
A

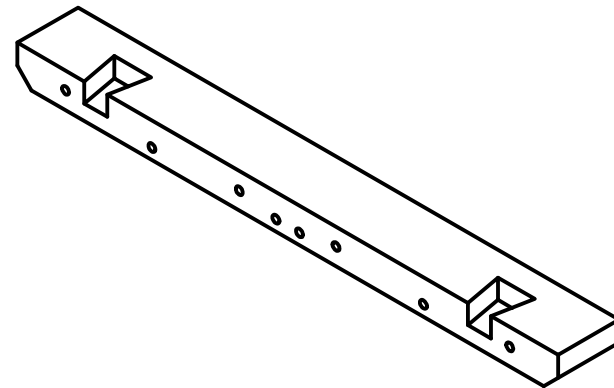
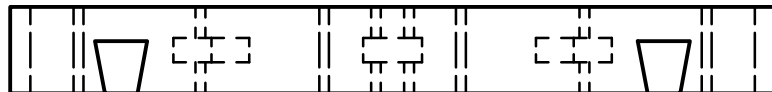
A

2

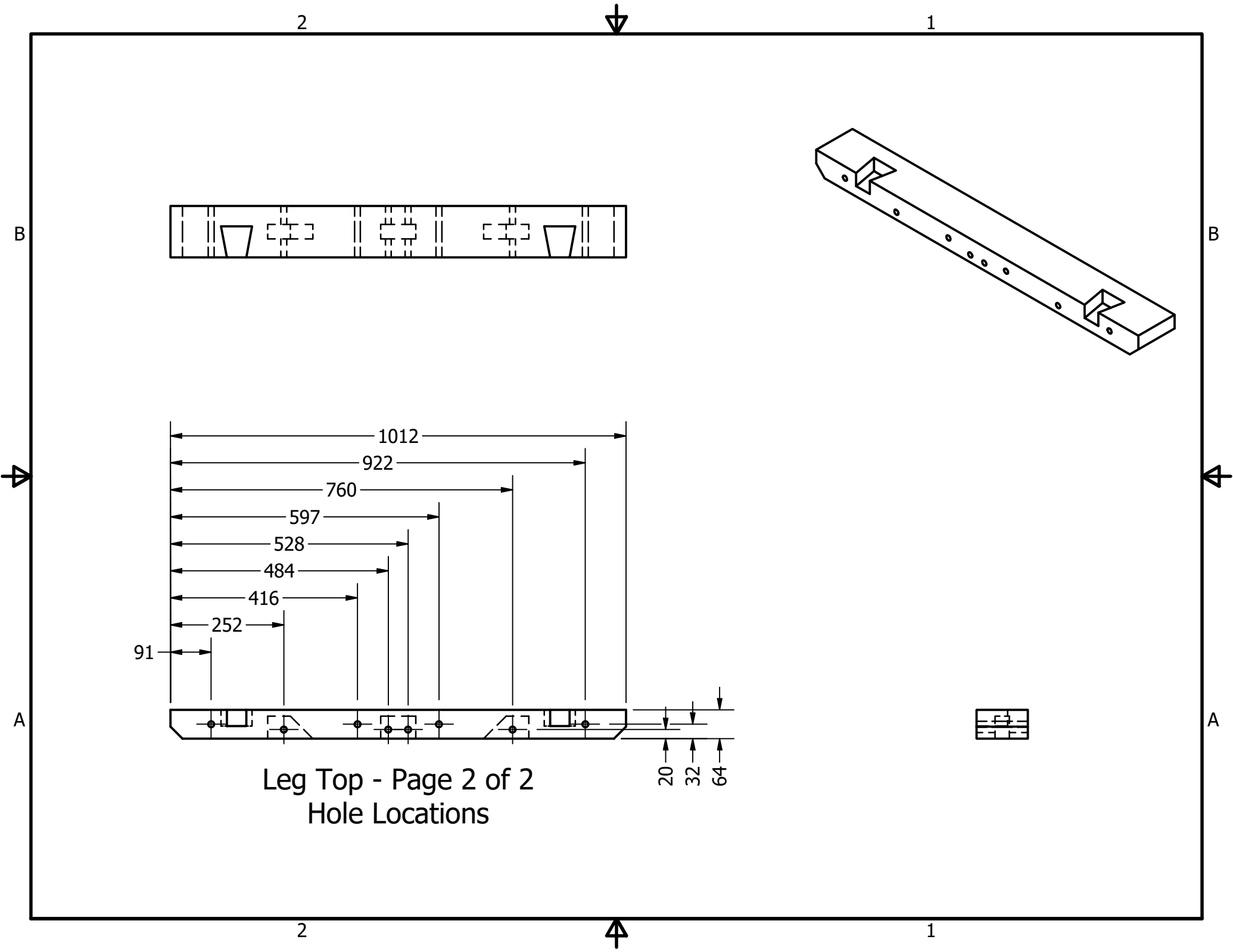
1





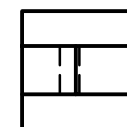
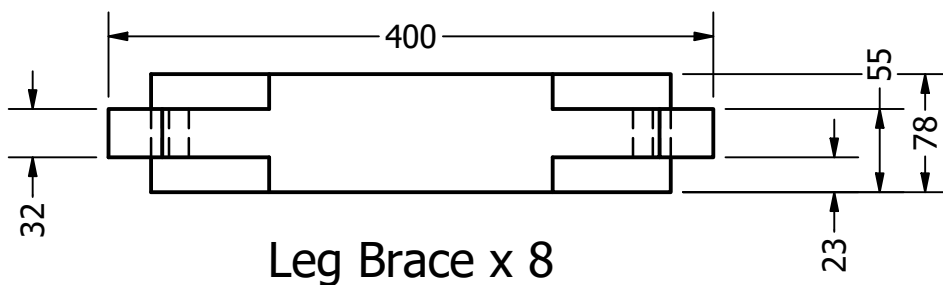
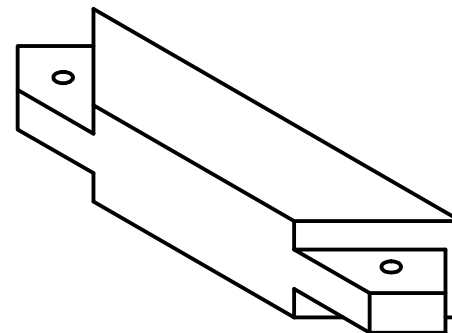
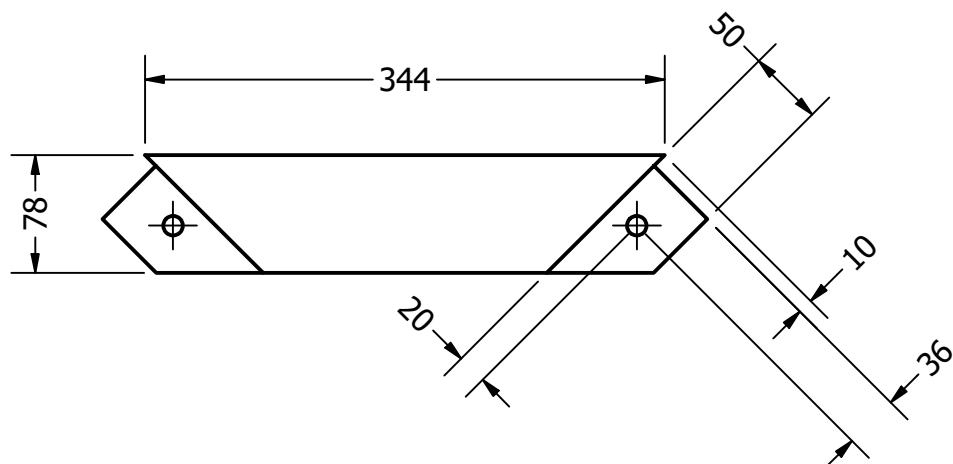


Leg Top - Page 2 of 2
Hole Locations



NOTE: ASSUME ALL ANGLES ARE 45°, 90° OR 135°

SORRY I AM NOT BETTER AT DIMENSIONING

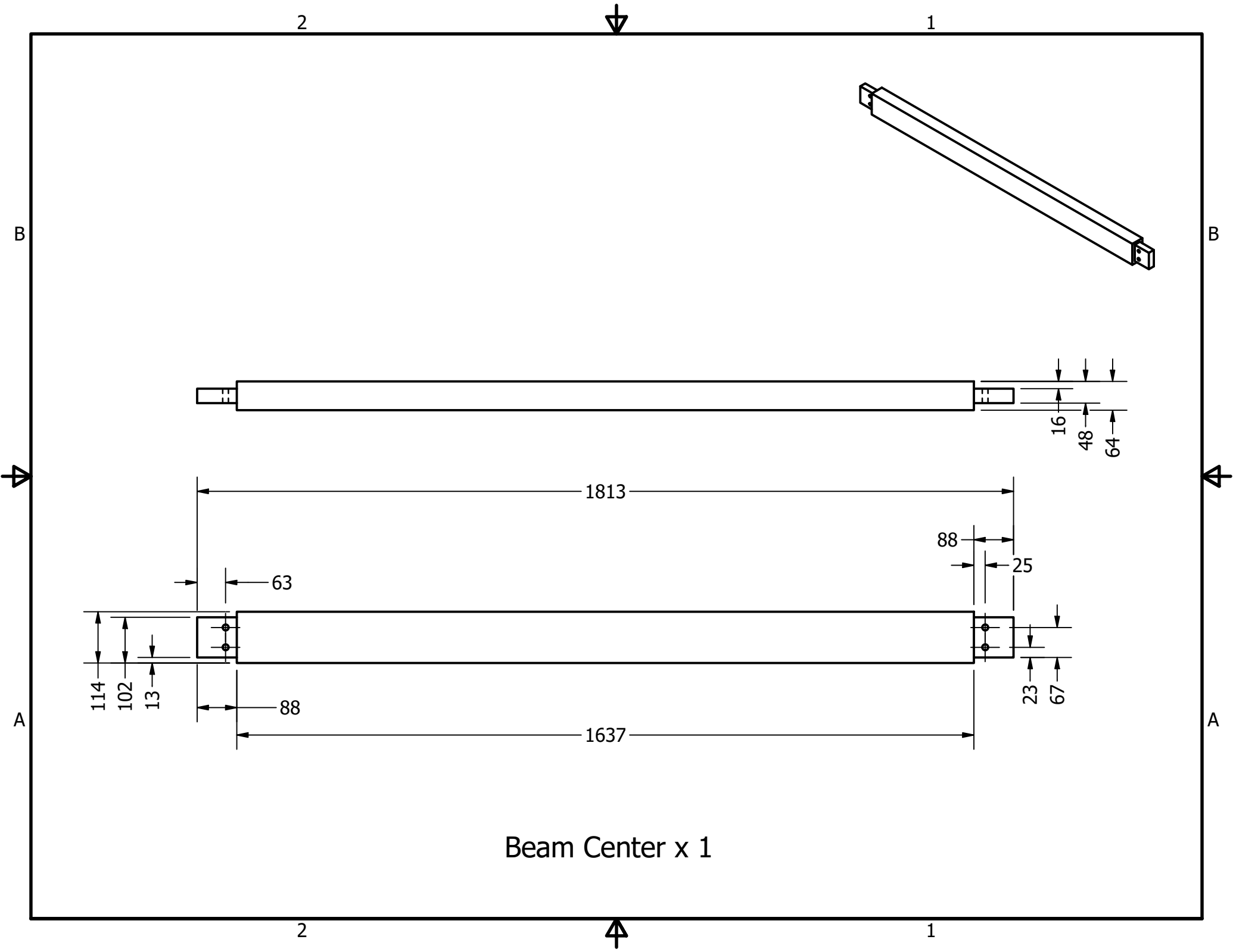


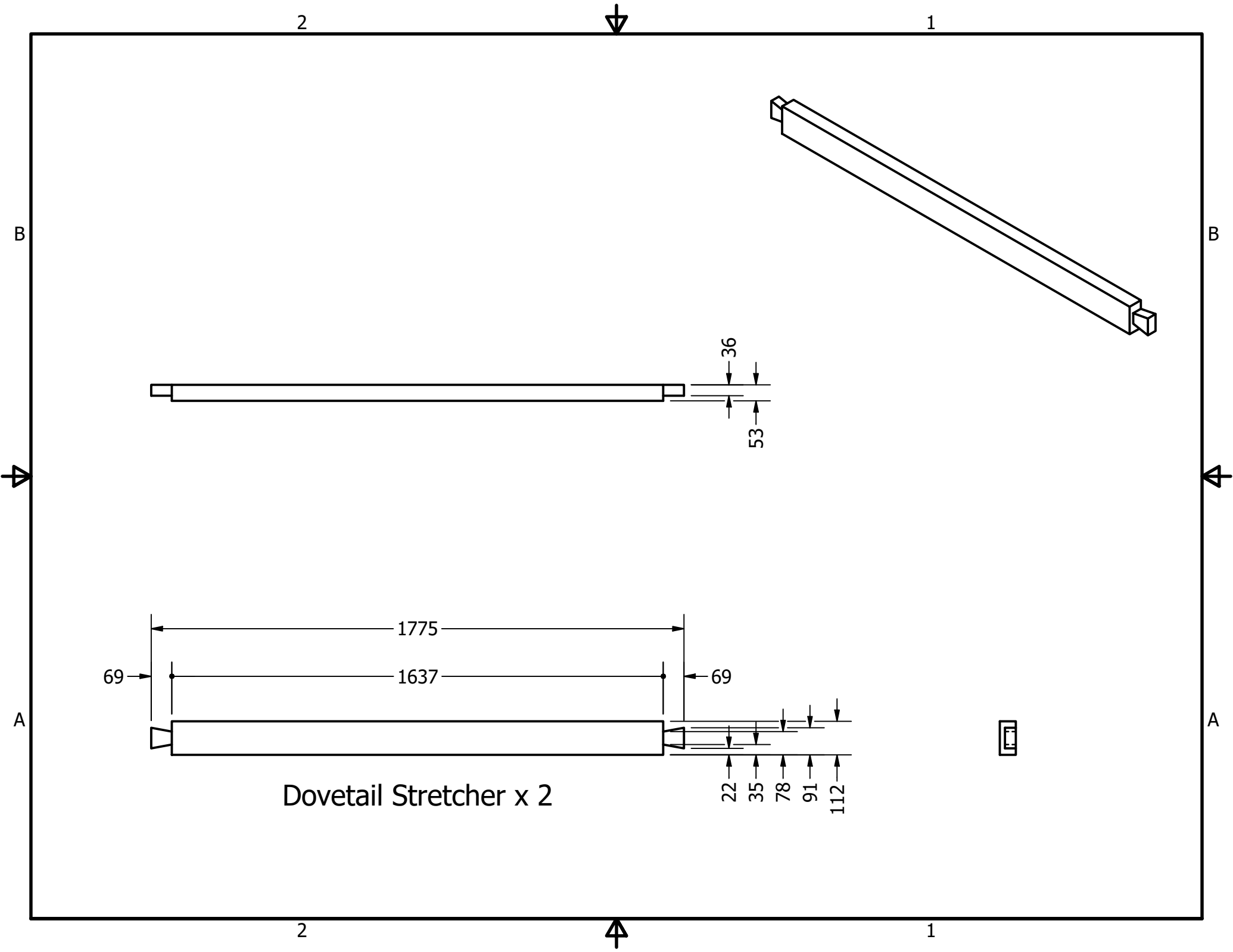
2

1

2

1





Dovetail Stretcher x 2

2

1

B

B

A

A

A

A

2

1

36

53

69

1775

1637

69

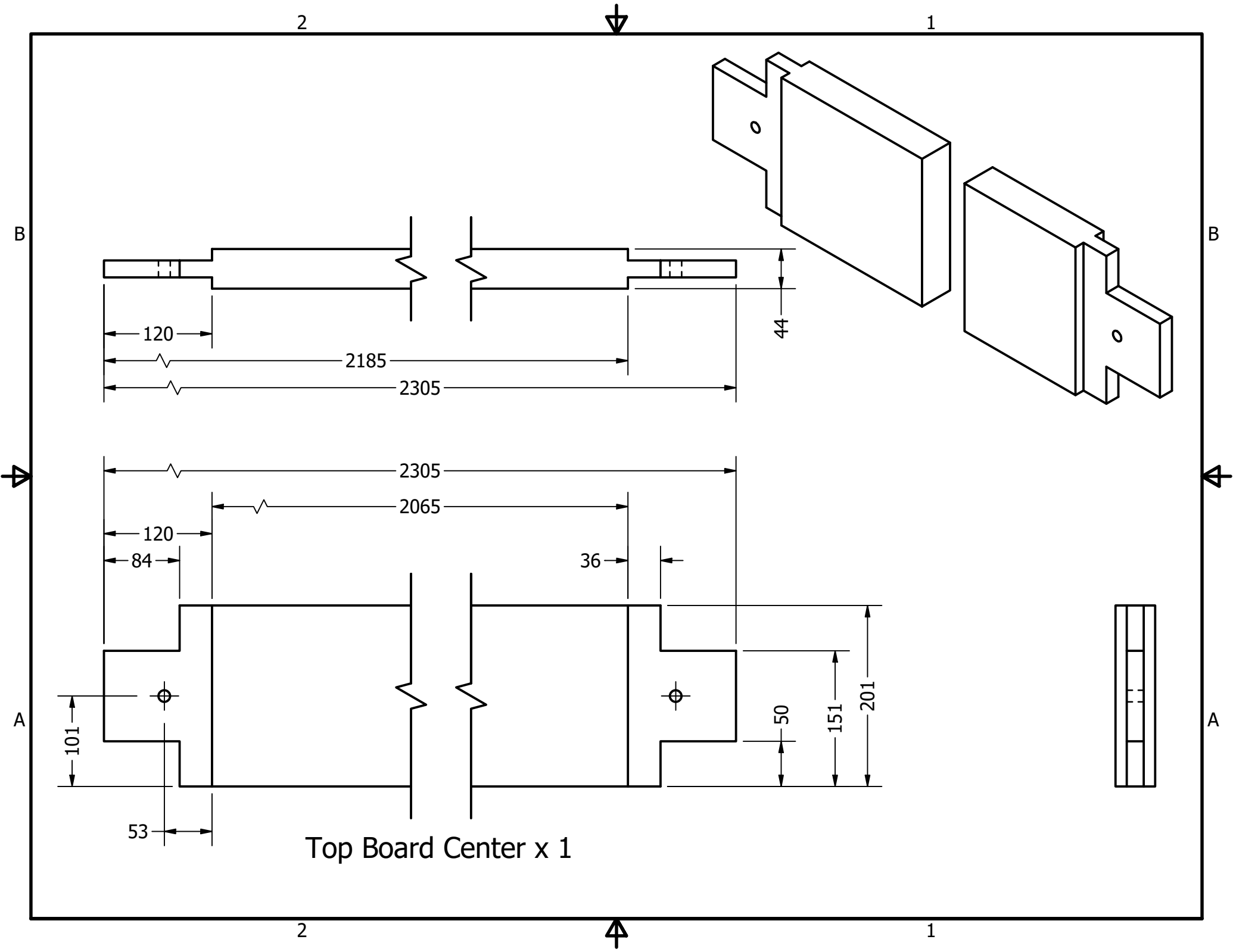
22

35

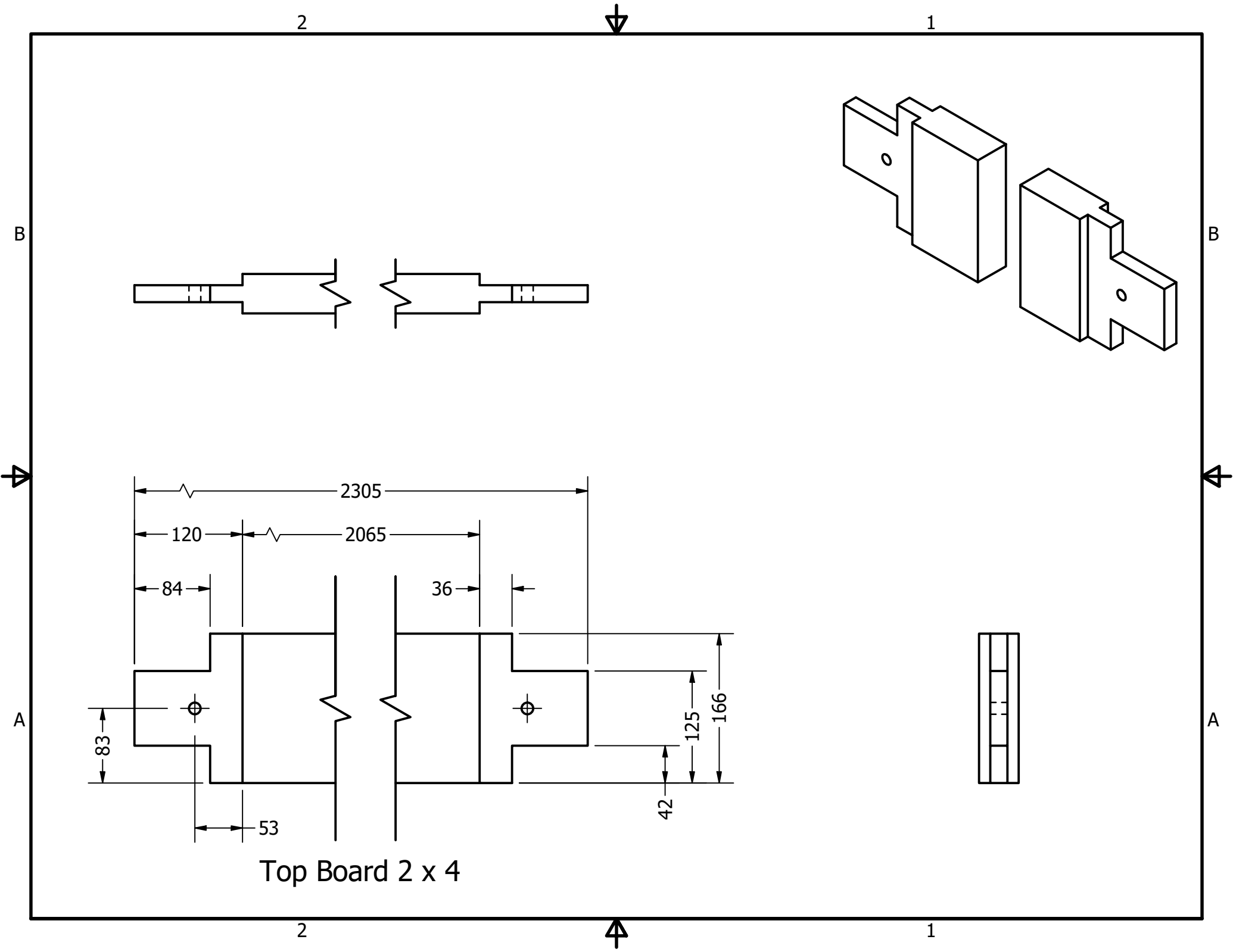
78

91

112



Top Board Center x 1

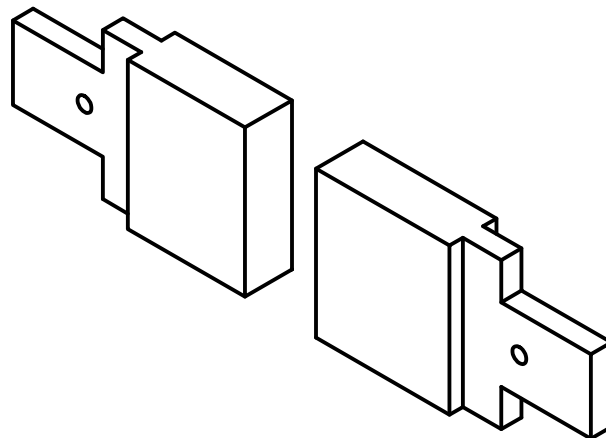
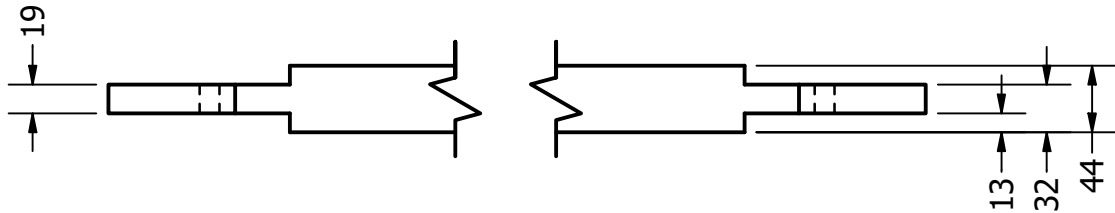


Top Board 2 x 4

2

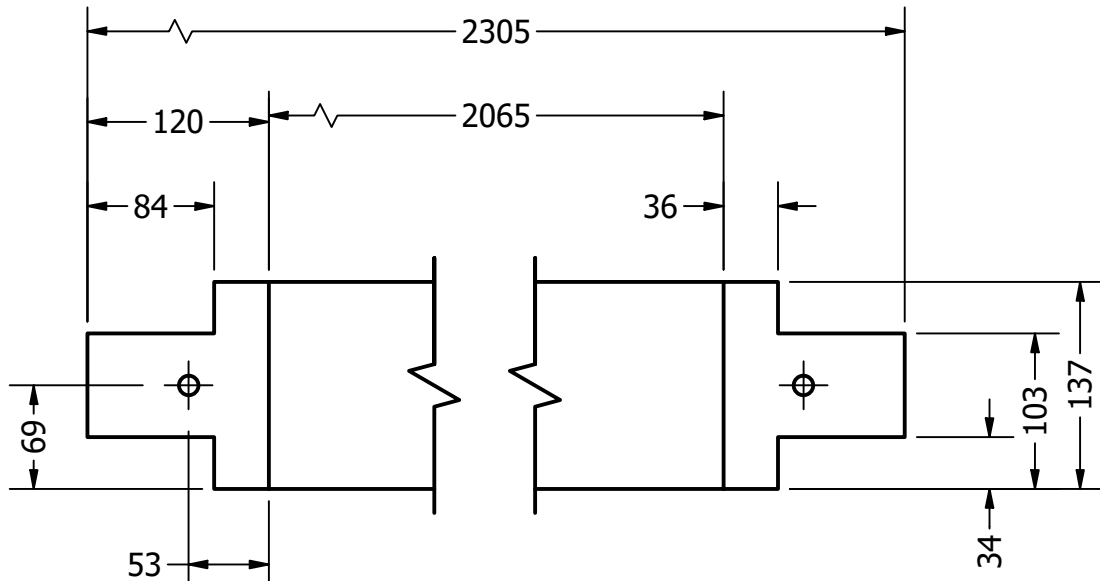


1



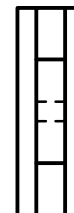
B

B



A

A



Top Board 3 x 2

2



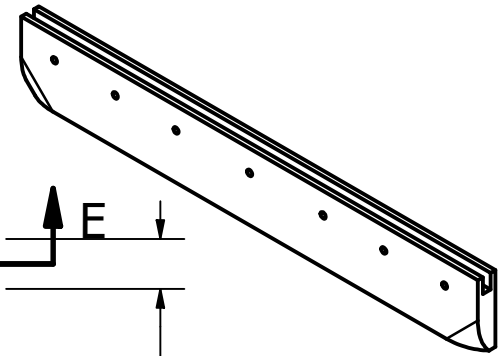
1

2



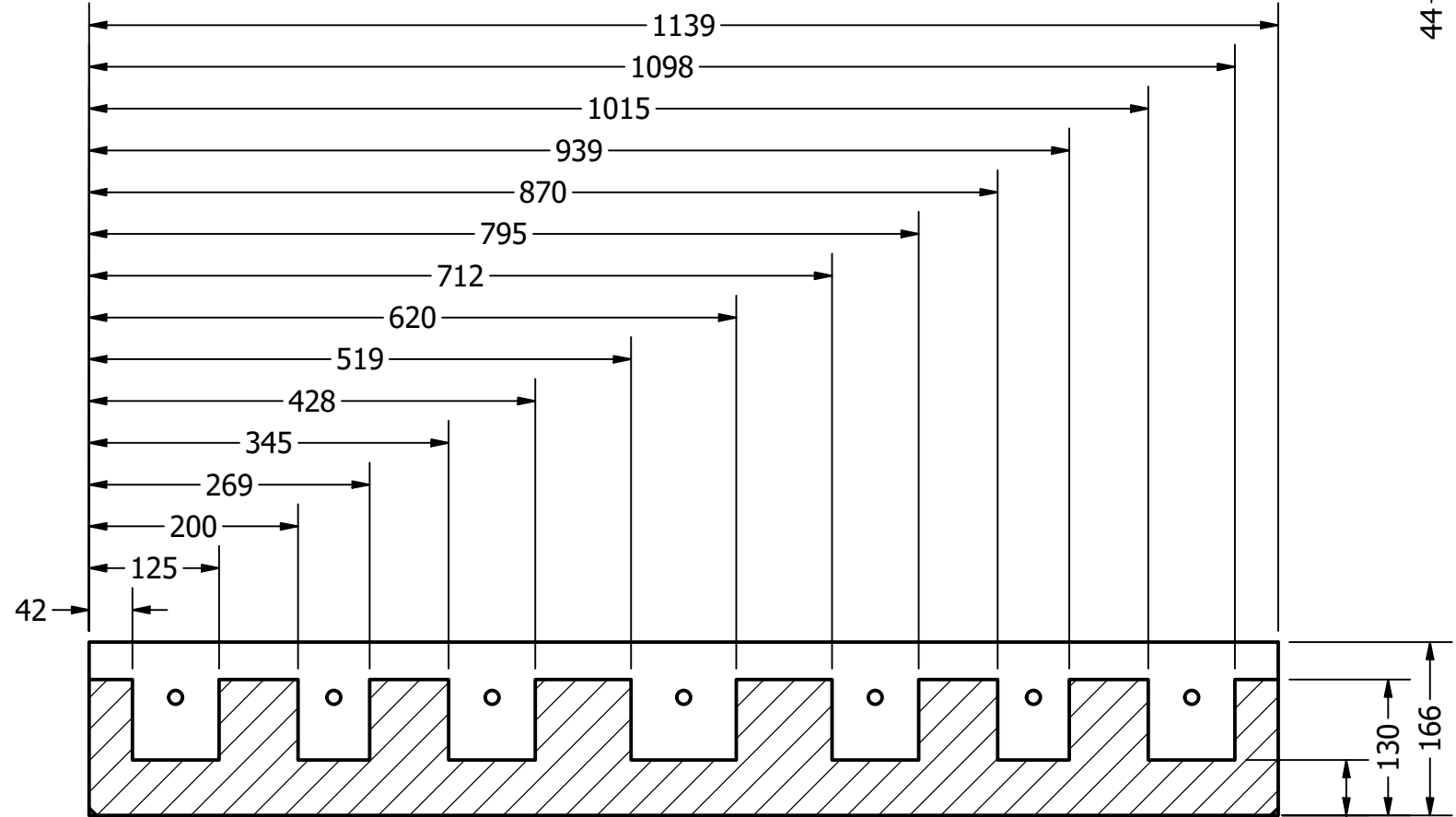
1

Drawboard End x 2 Page 1 of 2 - Pocket Dimensions



B

B



A

A

A

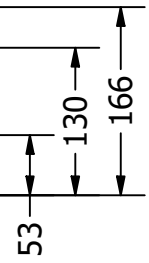
A

SECTION E-E
SCALE .15

2



1

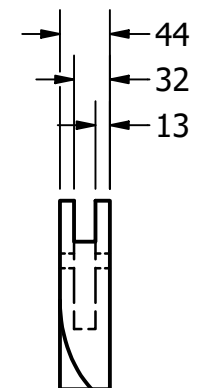
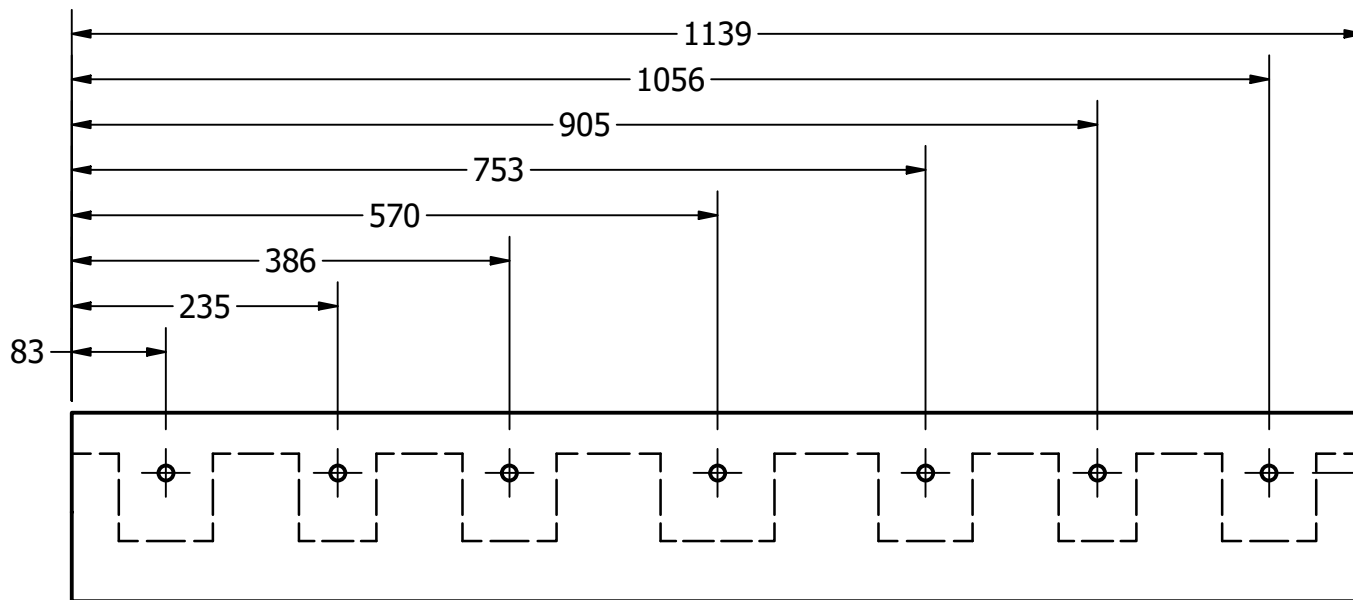
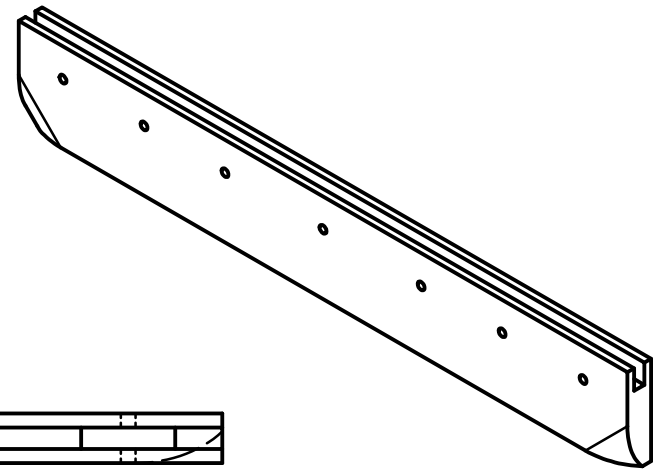


2



1

Drawboard End x 2 Page 2 of 2 - Hole Dimensions



B

B



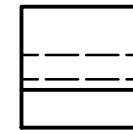
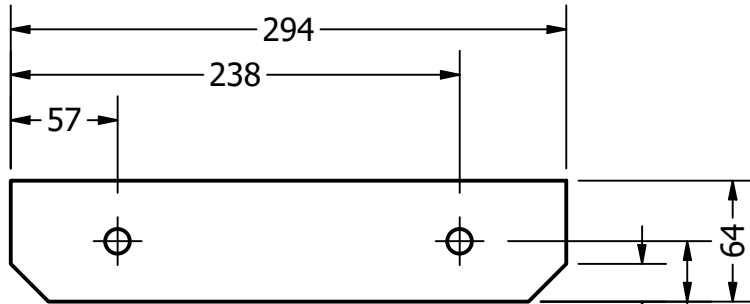
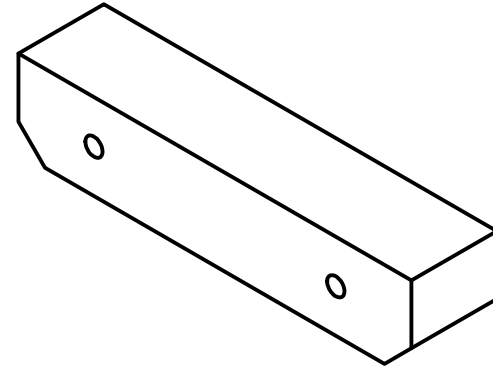
A

A

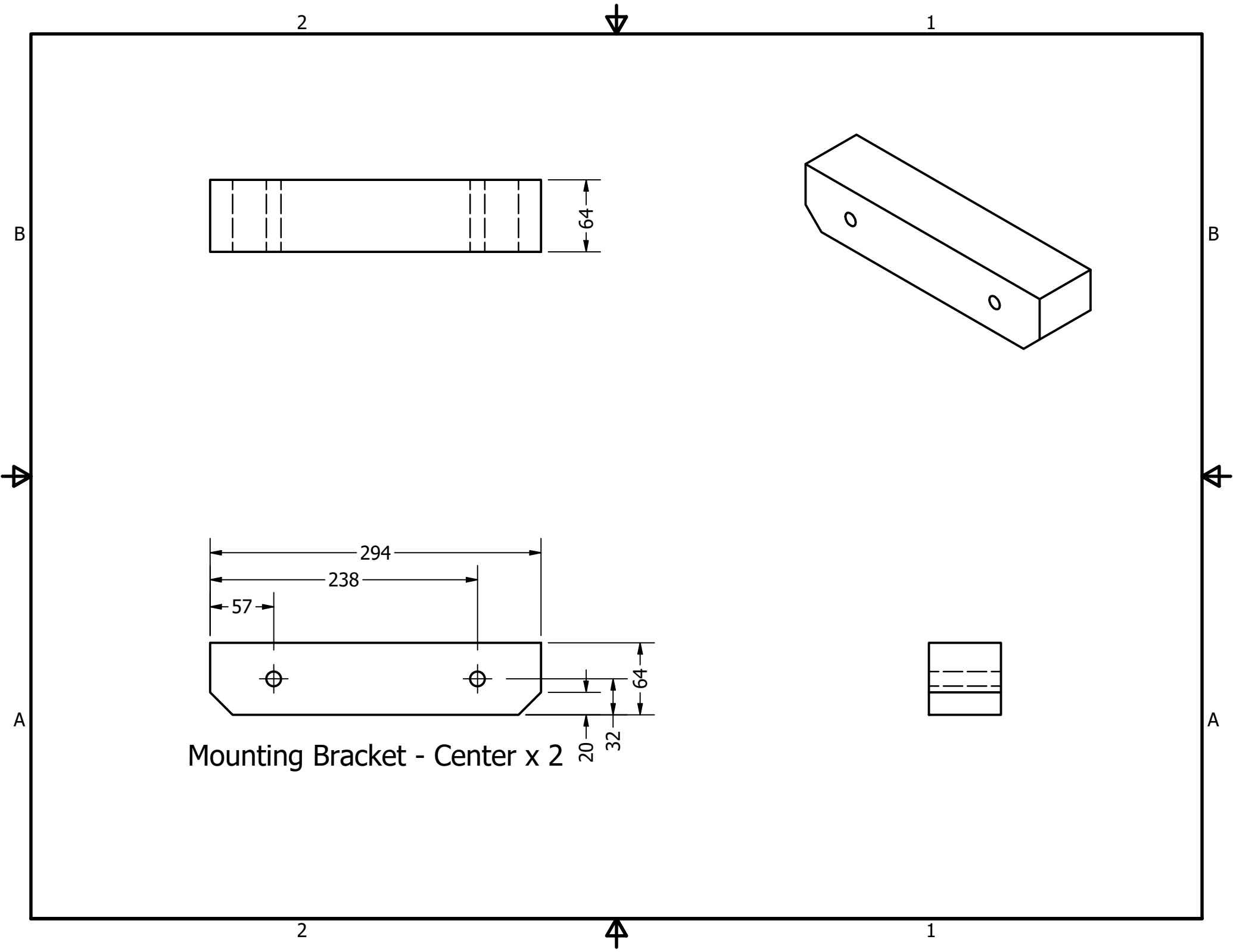
2



1



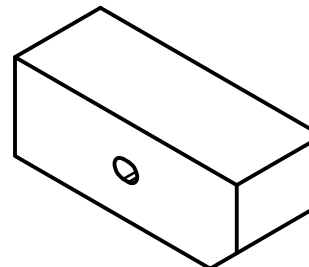
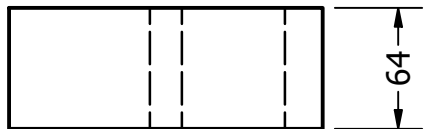
Mounting Bracket - Center x 2



2

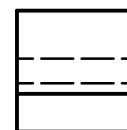
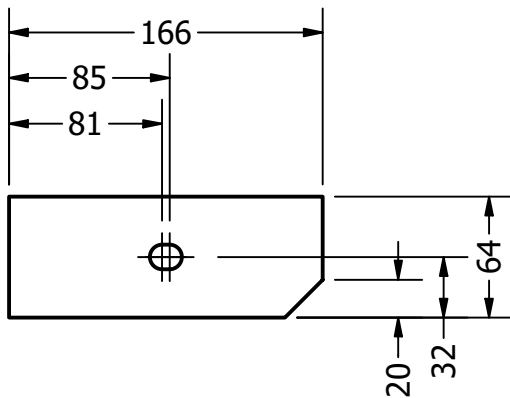


1



B

B



A

A

Mounting Bracket - End x 4

2



1